



RE

SERIES INDUSTRIAL RELAYS



General Specifications

- | PA6.6 base heat delay body
- | 35 mm rail assembly with 8, 11 or 14 pins socket
- | Special body design and contact tips assuring quick and faultless assembly
- | Wide label field for code spelling
- | Test button and control indicator

Technical Information

Mechanical Life	: 10.000.000 operations min.
Electrical Life	: 100.000 operations min.
Operating Temperature	: min./max. °C -5/+40
Protection Degree	: IP 40
Operating Frequency	: Without load 18.000 operations/hour At full load 600 operations/hour
Rated Operating Voltage U_e	: 12, 24, 48, 110 AC/DC and 230 V AC
Nominal Coil Power	: AC 1.5 VA, DC 1 W
Rated Operating Current I_e	: 10 A
Max. Switching Voltage	: 250 V
Max. Switching Power	: 2500 VA
Coil Voltage Range	: (0.85-1.1)* U_n
Range of Use	: AC15
Insulation Resistance	: 10 MΩ min. (500 V DC)
Dielectrical Strength	: Between coil-contact 2.000 V Open contact 1.500 V A C Pole-pole 2.000 V

Standard Contact Material : AgNi

Weight : 80 ± 5 gr.

Standard :

TS 3537



Endüstriyel Röle 11 Pinli Industrial Relay With 11 Pins



RE1P11AC



RE1P11DC

Endüstriyel Röle 8 Pinli Industrial Relay With 8 Pins



RE1P08AC



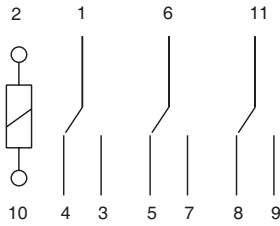
RE1P08DC

Sipariş Kodu Order Code	Bobin Gerilimi Coil Voltage	Pin Sayısı Number of Pin	Kontak Sayısı Number of Contact
RE1P08AC012	12 V AC	8	2
RE1P08AC024	24 V AC	8	2
RE1P08AC048	48 V AC	8	2
RE1P08AC110	110 V AC	8	2
RE1P08AC220	220-230 V AC	8	2
RE1P08DC012	12 V DC	8	2
RE1P08DC024	24 V DC	8	2
RE1P08DC048	48 V DC	8	2
RE1P08DC110	110 V DC	8	2
RE1P11AC012	12 V AC	11	3
RE1P11AC024	24 V AC	11	3
RE1P11AC048	48 V AC	11	3
RE1P11AC110	110 V AC	11	3
RE1P11AC220	220-230 V AC	11	3
RE1P11DC012	12 V DC	11	3
RE1P11DC024	24 V DC	11	3
RE1P11DC048	48 V DC	11	3
RE1P11DC110	110 V DC	11	3

Bağlantı Uçları ve İç Yapı / Terminal Markings and Internal Layout

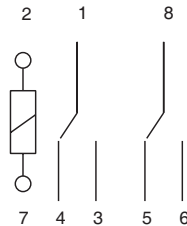
2-10 : Besleme / Supply

1-3-4 / 6-7-5 / 11-9-8 : Çıkış kontaktları
Relay output



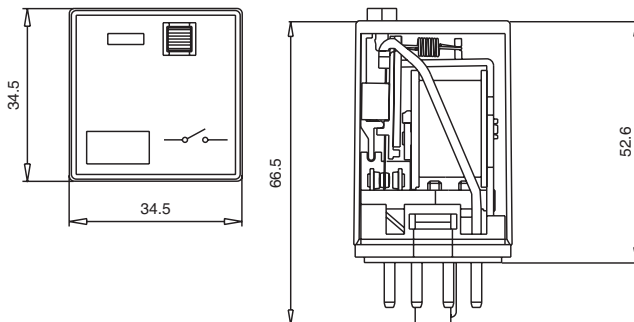
2-7 : Besleme / Supply

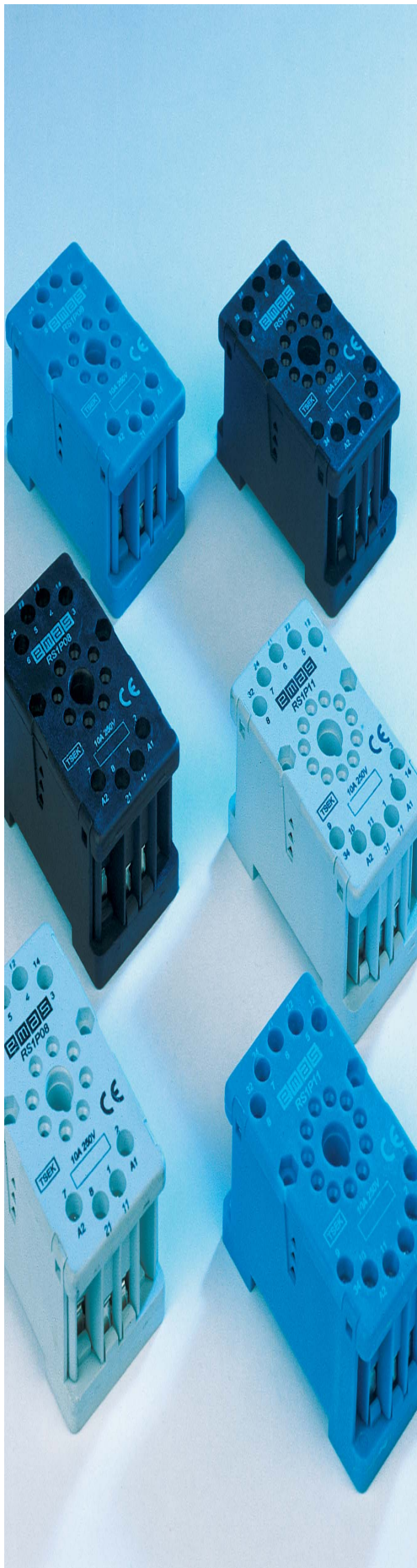
1-3-4 / 8-6-5 : Çıkış kontaktları
Relay output



Boyutlar ve Montaj / Dimensions and Mounting

Standart boyut 35X35x70 mm.
Standard size 35x35x70 mm.





RS1

SERIES RELAY SOCKETS

CE



General Specifications

- | Maximum product reliability with V0 PA6.6 material
- | Wide label area for code spelling
- | Perfect adaptation with industrial and electronic relays
- | Quick and basic assembly suitable to 35 mm rail

Technical Informations

Rated Operating Voltage U_e	: 250 V AC
Rated Operating Current I_e	: 10 A
Operating Temperature	: -5/ +40 °C
Protection Degree	: IP 40
Weight	: 80±5 gr.
Standard	: TSEK PG

CE

Röle Soketi 8 Pinli
Relay Socket
With 8 Pins



RS1P08M1

Sipariş Kodu Order Code	Pin Sayısı Number of Pin	Renk Colour
RS1P08G1	8	Gri/Grey
RS1P08H1	8	Siyah/Black
RS1P08M1	8	Mavi/Blue

Röle Soketi 11 Pinli
Relay Socket
With 11 Pins



RS1P11G1

Sipariş Kodu Order Code	Pin Sayısı Number of Pin	Renk Colour
RS1P11G1	11	Gri/Grey
RS1P11H1	11	Siyah/Black
RS1P11M1	11	Mavi/Blue

Boyutlar ve Montaj / Dimensions and Mounting

35 mm raya (EN 50022) uygun montaj
Suitable mounting to 35 mm rail (EN50022)

